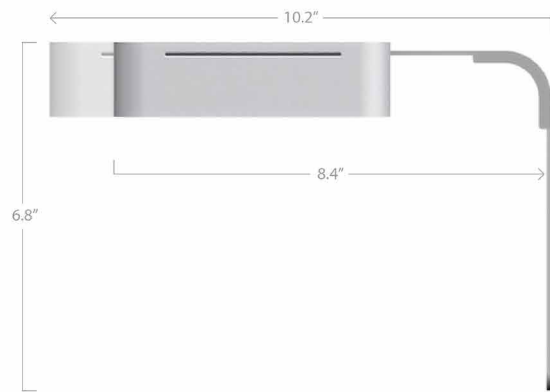
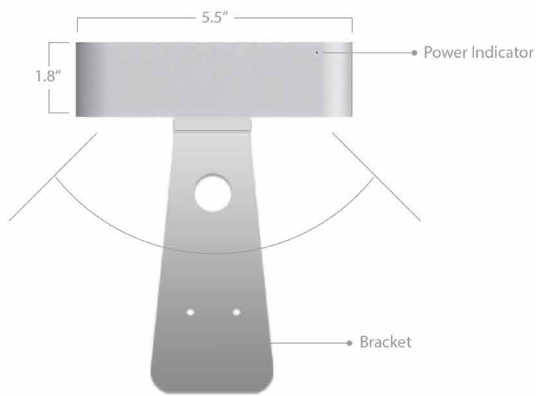
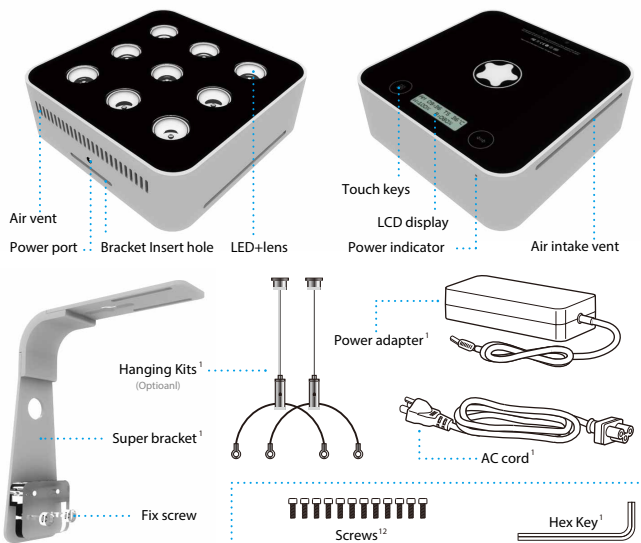




 **MICMOL**



## Overview what's in the box



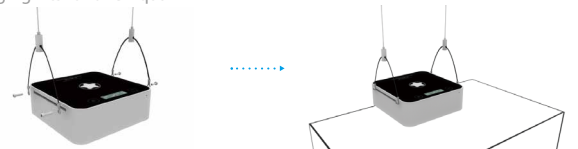
## Getting Started

Congratulations on purchasing your Aqua mini. Read this guide to get started.

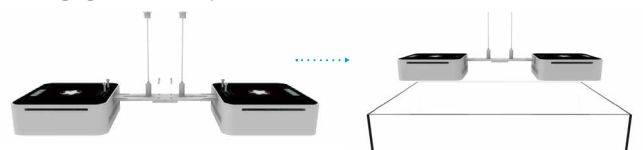
### 1 Bracket



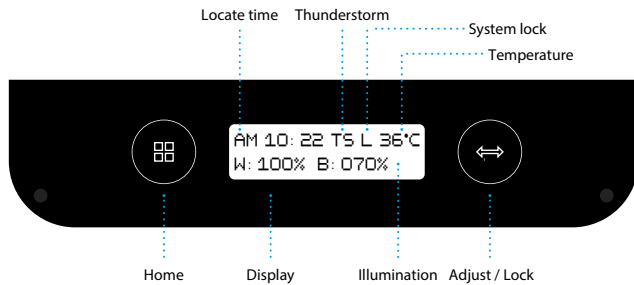
### 2 Hanging kits for one Aqua mini



### 3 Hanging kits for two Aqua mini



## Program Settings



**Home / Menu** - Browse menu.  
**Special function** : Hold on 3 second to back previous menu.

**Select / Adjust** - Enter the sub-menu to adjust the parameters.  
**Special function** : Hold on 3 second to unlock system.

For more information, please visit [www.micmol.com/programsettings.html](http://www.micmol.com/programsettings.html).

Items	Value
Maximum continuous power	30W
LEDs	CREE LEDs
Line voltage	100-240V AC
Frequency	50Hz to 60Hz, single phase
Operating temperature	50° to 113° F (10° to 45° C)
Storage temperature	-40° to 140° F (-40° to 60° C)
Relative humidity	5% to 95% noncondensing
Size	5.5"x3.9"x1.8" (14x14x4.8cm)
Weight	4.4 pounds (2.0kg)
Application	10, 15, 20, 25 Gallons (standard tanks)



### Size and Weight

The perfect fit for your mini-tank

Length: 5.5 inches (14cm)  
 Width: 5.5 inches (14cm)  
 Height: 1.8 inches (4.8cm)  
 Weight: 3.3 pounds (1.5kg)

### What's in the Box

- New Aqua mini
- Super Bracket
- Hanging Kits (Optional)
- Power Cord
- Power Adapter
- Tool Sets
- Printed Instructions



## LED Array



### Aqua mini

Array: 9 Lenses (3 x 3) = 9 LEDs total

3 - Cool white <sup>1 - white led channel</sup>  
 Cree: XT-E - Temperature (CCT): 8,300K

3 - Royal blue <sup>2 - blue led channel</sup>  
 Cree: XP-E - Wavelength: 440~460nm

1 - Warm white <sup>3 - special led channel</sup>  
 Cree: XT-E - Temperature (CCT): 3,000~3,500K

2 - Blue <sup>3 - special led channel</sup>  
 Cree: XP-F - Wavelength: 460~490nm



### Aqua mini Color

Array: 9 Lenses (3 x 3) = 9 LEDs total

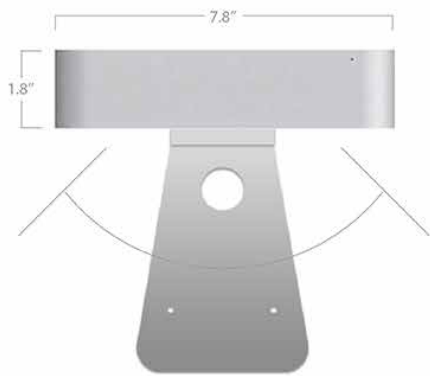
3 - Cool white <sup>1 - white led channel</sup>  
 Cree: XT-E - Temperature (CCT): 8,300K

3 - Royal blue <sup>2 - blue led channel</sup>  
 Cree: XP-E - Wavelength: 440~460nm

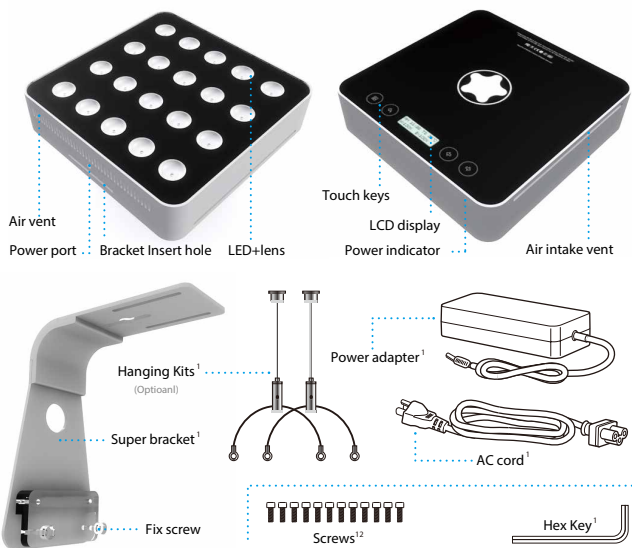
1 - Green <sup>3 - special led channel</sup>  
 Cree: XP-E - Wavelength: 525~530nm

1 - Deep blue <sup>3 - special led channel</sup>  
 OSRAM OSLOM - Wavelength: 410~420nm

1 - Deep red <sup>3 - special led channel</sup>  
 OSRAM OSLOM - Wavelength: 650~660nm



## Overview what's in the box



## Getting Started

Congratulations on purchasing your Aqua Pro. Read this guide to get started.

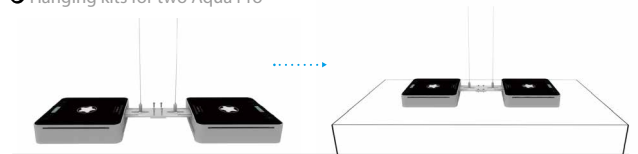
### 1 Bracket



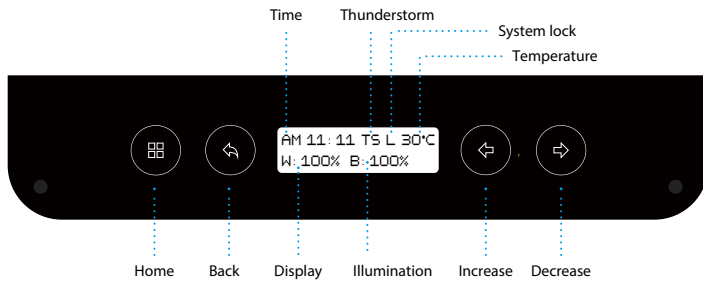
### 2 Hanging kits for one Aqua Pro



### 3 Hanging kits for two Aqua Pro



## Program Settings



**Home / Menu / Confirm** - Browse menu.

**Back** - Back to previous menu.

**Decrease** - Adjust the value.  
**Special function**: Enter to menu.

**Increase** - Adjust the value.  
**Special function**: Hold on 3 second to lock / unlock system.

For more information, please visit [www.micmol.com/programsettings.html](http://www.micmol.com/programsettings.html).

Items	Value
Maximum continuous power	60W
LEDs	CREE LEDs
Line voltage	100-240V AC
Frequency	50Hz to 60Hz, single phase
Operating temperature	50° to 113° F (10° to 45° C)
Storage temperature	-40° to 140° F (-40° to 60° C)
Relative humidity	5% to 95% noncondensing
Size	7.8"x7.8"x1.8" (20x20x4.8cm)
Weight	6.8 pounds (2.8kg)
Application	30~60 Gallons (standard tanks)



### Size and Weight

The perfect fit for your reef-tank

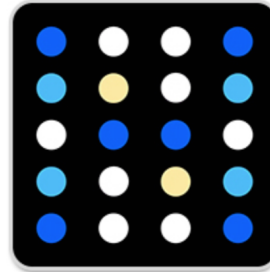
Length: 7.8 inches (20cm)  
Width: 7.8 inches (20cm)  
Height: 1.8 inches (4.8cm)  
Weight: 6.2 pounds (2.8kg)

### What's in the Box

- Aqua Pro
- Super Bracket
- Hanging Kits (Optional)
- Power Cord
- Power Adapter
- Tool Sets
- Printed Instructions



## LED Array



### Aqua Pro

Array: 20 Lenses (5 x 4) = 20 LEDs total

- 6 - Cool white <sup>1</sup> - white led channel  
Cree: XT-E - Temperature (CCT): 8,300K
- 6 - Royal blue <sup>2</sup> - blue led channel  
Cree: XP-E - Wavelength: 440~460nm
- 2 - Cool white <sup>3</sup> - special led channel  
Cree: XT-E - Temperature (CCT): 8,300K
- 2 - Warm white <sup>3</sup> - special led channel  
Cree: XT-E - Temperature (CCT): 3,000~3,500K
- 4 - Blue <sup>3</sup> - special led channel  
Cree: XP-E - Wavelength: 460~490nm



### Aqua Pro Color

Array: 20 Lenses (5 x 4) = 20 LEDs total

- 6 - Cool white <sup>1</sup> - white led channel  
Cree: XT-E - Temperature (CCT): 8,300K
- 6 - Royal blue <sup>2</sup> - blue led channel  
Cree: XP-E - Wavelength: 440~460nm
- 2 - Warm white <sup>3</sup> - special led channel  
Cree: XT-E - Temperature (CCT): 3,000~3,500K
- 2 - Deep blue <sup>3</sup> - special led channel  
OSRAM OSOLON - Wavelength: 410~420nm
- 1 - Deep red <sup>3</sup> - special led channel  
OSRAM OSOLON - Wavelength: 650~660nm
- 2 - Blue <sup>3</sup> - special led channel  
Cree: XP-E - Wavelength: 460~490nm
- 1 - Green <sup>3</sup> - special led channel  
Cree: XP-E - Wavelength: 525~530nm

